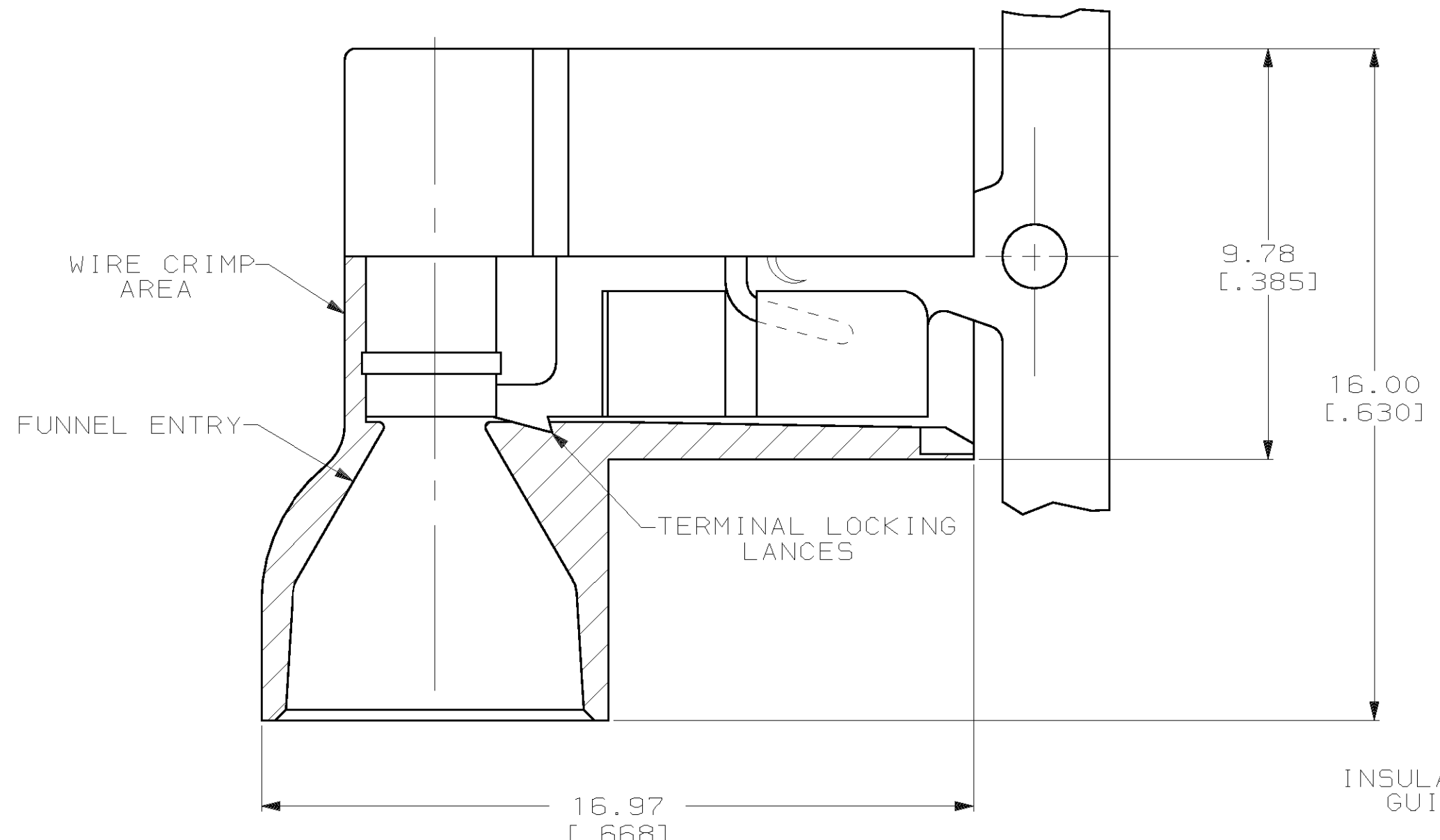
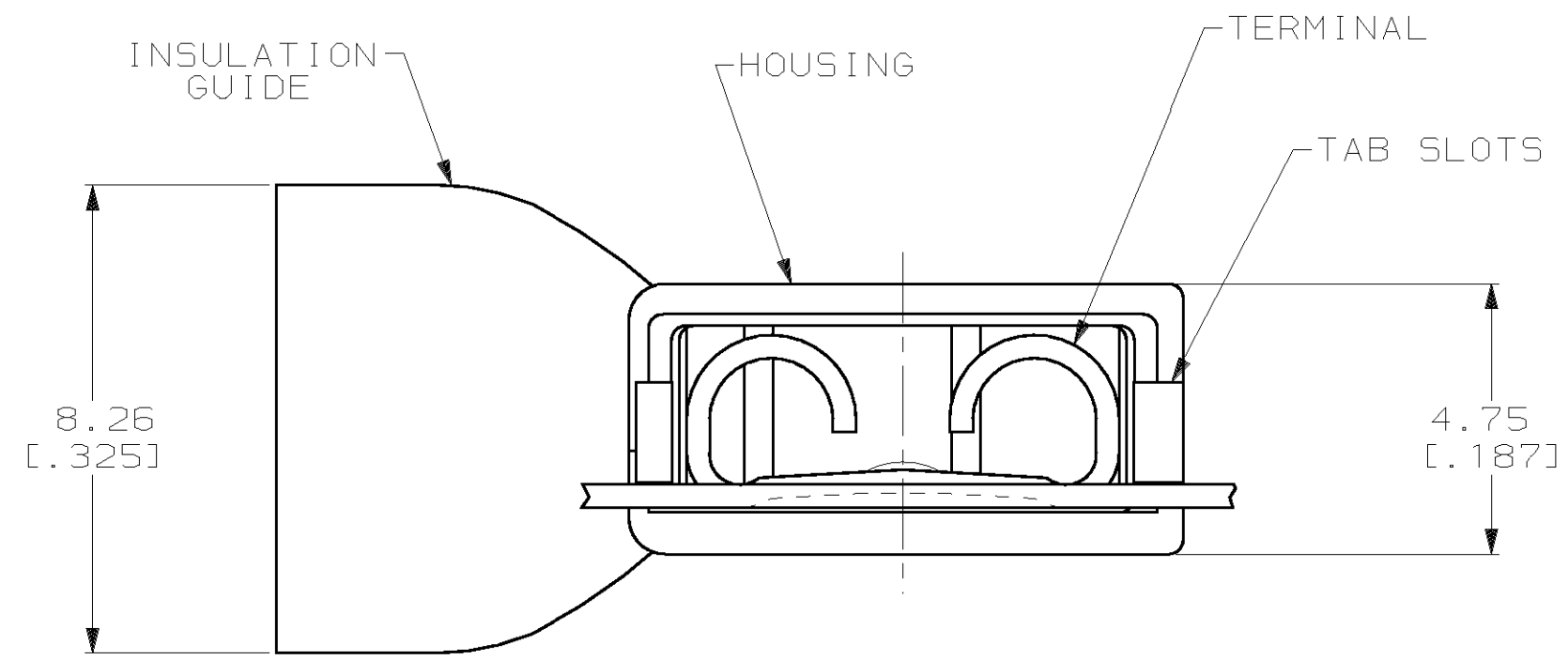
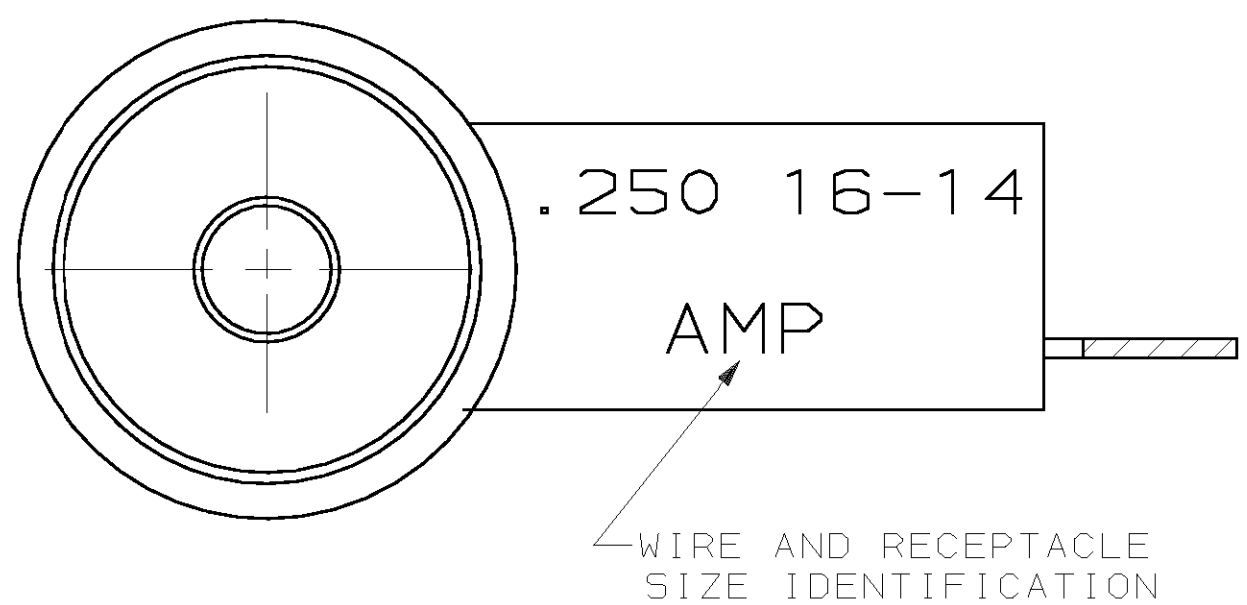


THIS DRAWING IS UNPUBLISHED. RELEASED FOR PUBLICATION
 © COPYRIGHT 19 BY AMP INCORPORATED. ALL INTERNATIONAL RIGHTS RESERVED.

LOC		DIST		P		F		ZONE		LTR		REVISIONS	
DESCRIPTION		DATE		APPD									
AF	50											C	ADDED 5-521013-2 PER 0710-0327-96
													7/2/96
													JR/DB



- 1 FITS 0.81±0.025 X 6.35 [.032±.001 X .250] TAB
- 2 WIRE SIZE: 1.3-2.0mm² [16-14 AWG], STRANDED ONLY.
 ONE WIRE STRIP LENGTH 7.94 [.312]
 TWO WIRE STRIP LENGTH 8.51 [.335]
- 3 INSULATION SIZE: 6.60 [.260] MAX DIA.
- 4 CONTINUOUS STRIP



BULK	TYPE 6/6 NYLON	COLOR	MATERIAL	FINISH	PART NO
STANDARD		BLUE TRANSLUCENT	0.41 [.016] #4H BRASS	TIN	5-521013-2
PACKAGING					3-521013-2
DO NOT SCALE PRINT. UNLESS SPECIFIED DIMENSIONS IN mm [INCHES] TOLERANCES ON :		DR 12/22/92 JR RUTH		AMP INCORPORATED Harrisburg, Pa. 17105	
2 PLC DEC ± -		CHK 12/22/92 MS FEHER			
3 PLC DEC ± 0.38 [.015]		APPD 12/22/92 DJ BRATINA		NAME	
ANGLES ± -		APPD 12/22/92 V KARA.		RECEPTACLE ASSEMBLY, ULTRA-FAST FLAG, 6.35 [.250] SERIES	
MATERIAL		PRODUCT SPEC		SIZE	
SEE TABLE		108-2043		CAGE CODE	
FINISH		APPLICATION SPEC		DRAWING NO	
SEE TABLE		114-2123		521013	
		WEIGHT -		SCALE 10:1	
				SHEET 1 OF 1	

